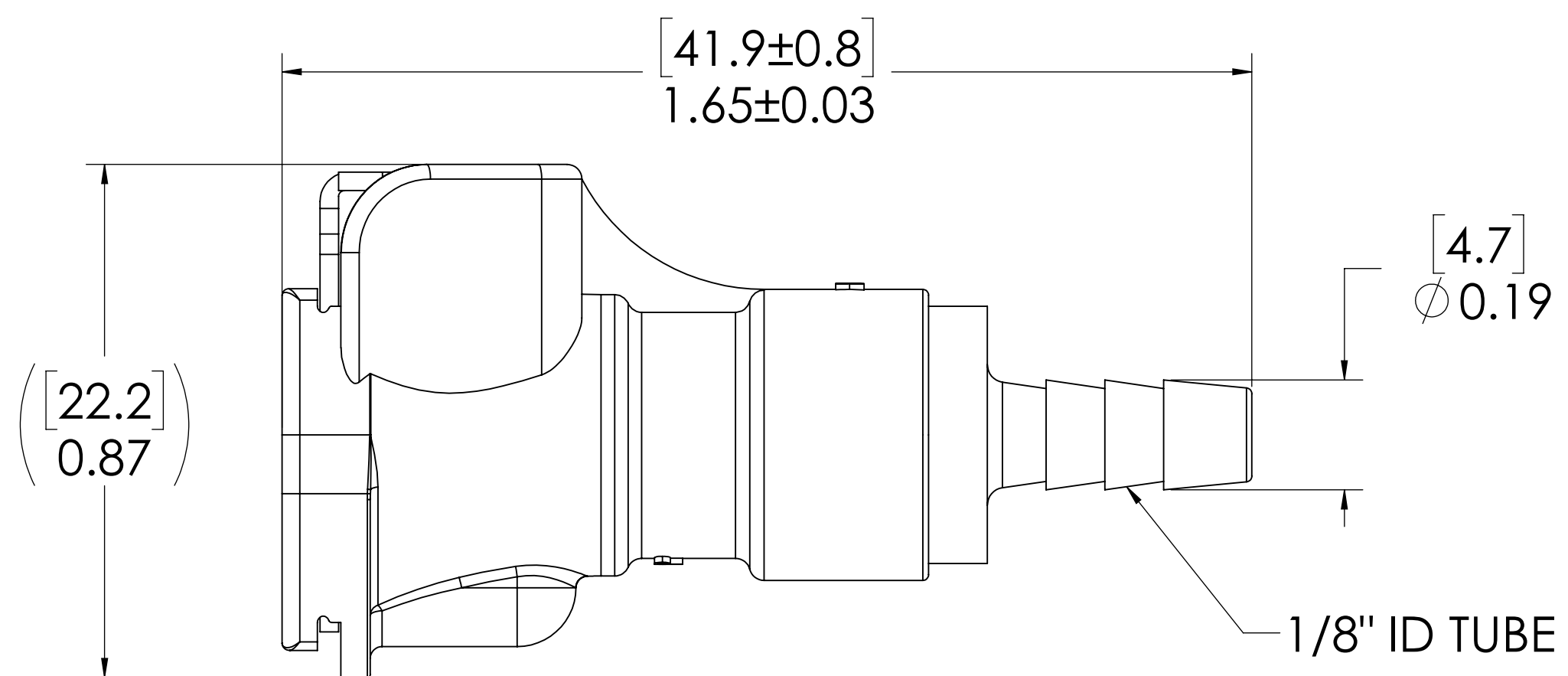
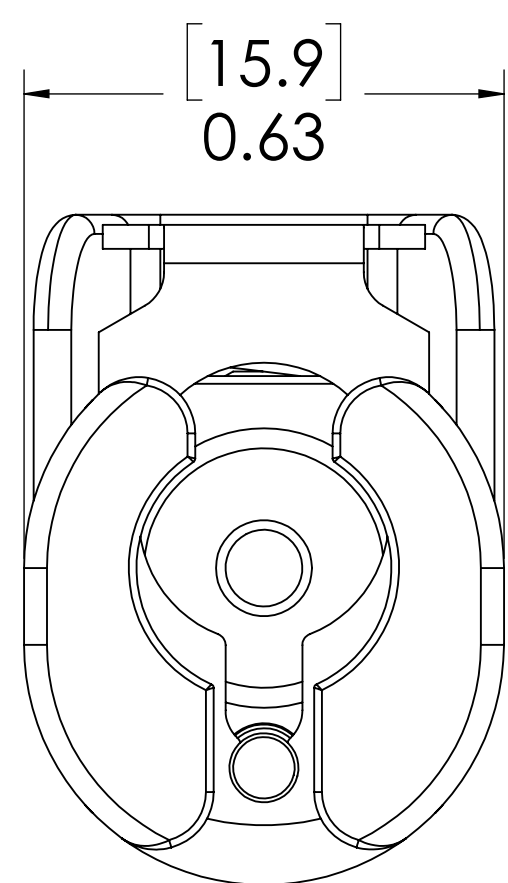
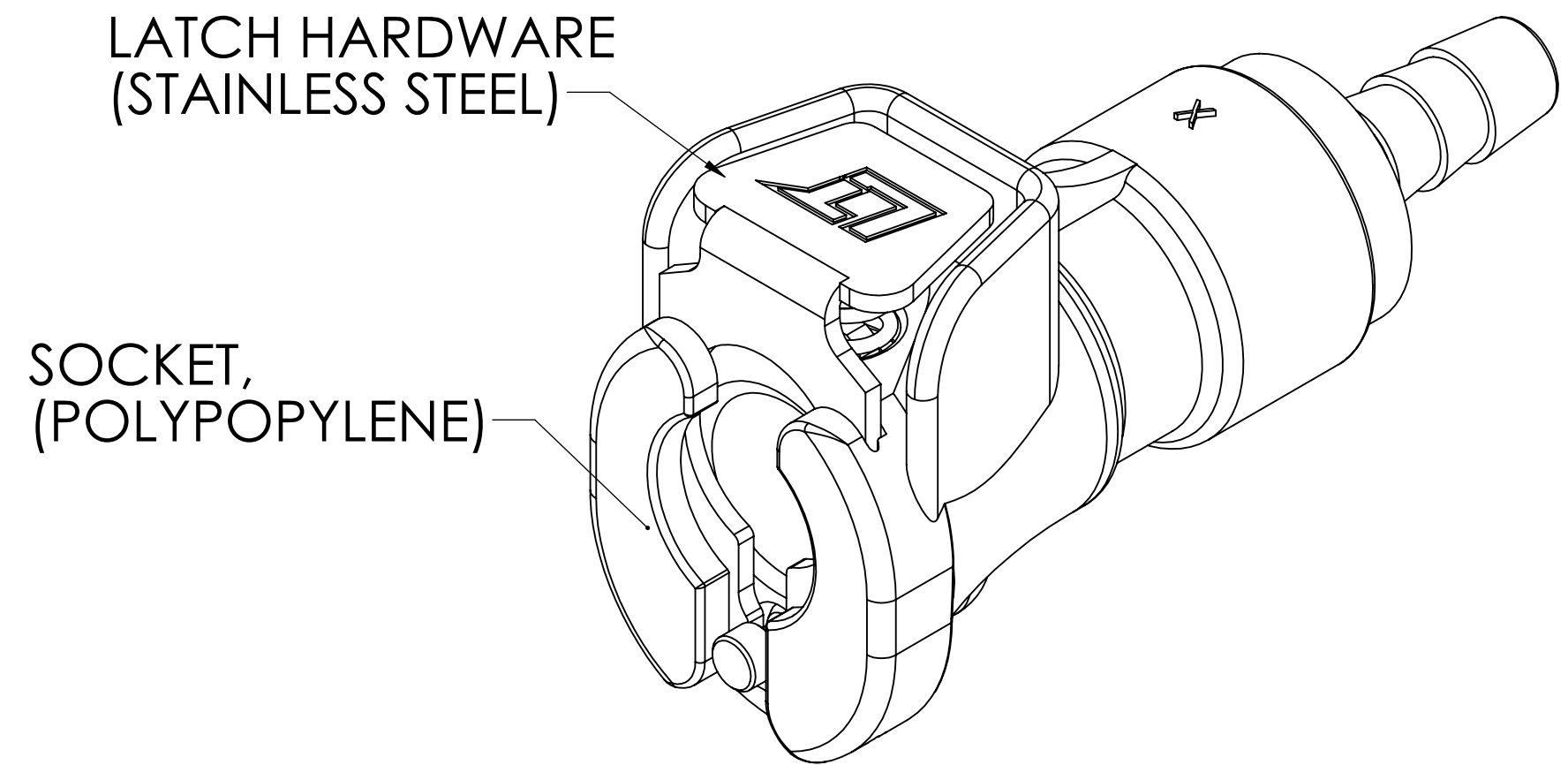



REVISIONS						
SHEET	ZONE	REV.	ECO	DESCRIPTION	DATE	APPROVED
1	ALL	A	50253	2017 FORMAT UPDATE	8/27/2018	HRC



- NOTES:**
- MATERIAL: POLYPROPYLENE
 - COLOR: ALMOND

FOR REFERENCE ONLY

UNLESS OTHERWISE SPECIFIED: DIMENSIONS ARE IN INCHES TOLERANCES: FRACTIONAL ± 1/32 ANGULAR: MACH ± 0.5 BEND ± 2 ONE PLACE DECIMAL ± 0.1 TWO PLACE DECIMAL ± 0.01 THREE PLACE DECIMAL ± 0.005 TWO PLACE DUAL (mm) [± 0.12]	DRAWN	CBH	7/27/2017	 PART NO: 20PP-S2-02MALD DESCRIPTION: LinkTech 20PP Series Straight Female, Non-valved, 1/8" HB, Molded Almond Color, Polypropylene
	CHECKED	HRC	7/2/17	
	ENG APPR.	HRC	8/27/18	
	MFG APPR.	BDB	8/27/18	
PRODUCTION	LS	8/27/18	COMMENTS:	
PROPRIETARY AND CONFIDENTIAL THE INFORMATION CONTAINED IN THIS DRAWING IS THE SOLE PROPERTY OF LINKTECH LLC. ANY REPRODUCTION OR DISCLOSURE IN PART OR AS A WHOLE WITHOUT THE WRITTEN PERMISSION OF LINKTECH LLC IS STRICTLY PROHIBITED.	SIZE DWG. NO. REV C 20PP200182 A	SCALE: NTS WEIGHT: SHEET 1 OF 1		